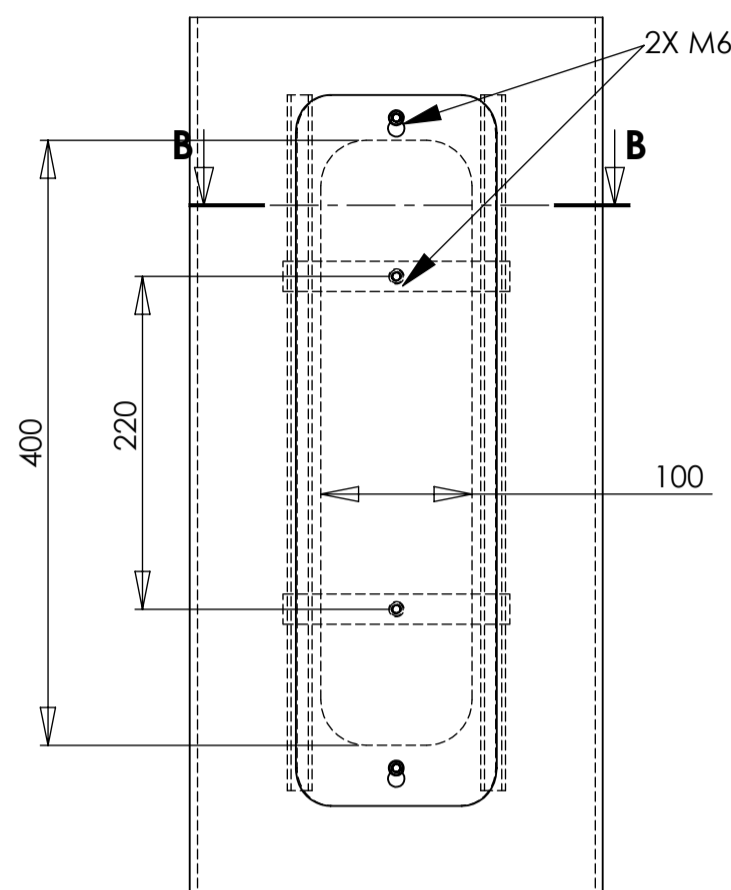
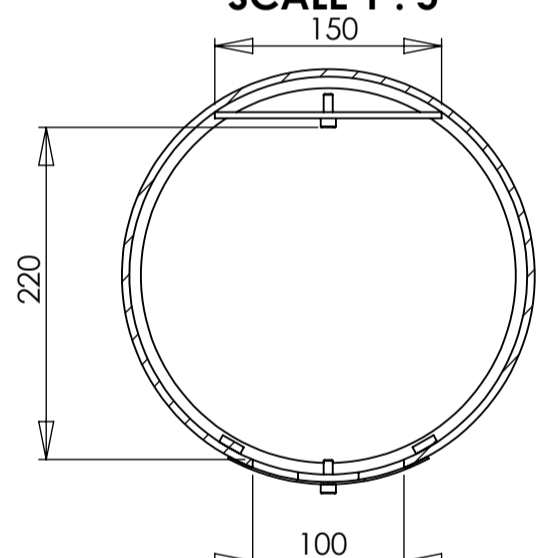


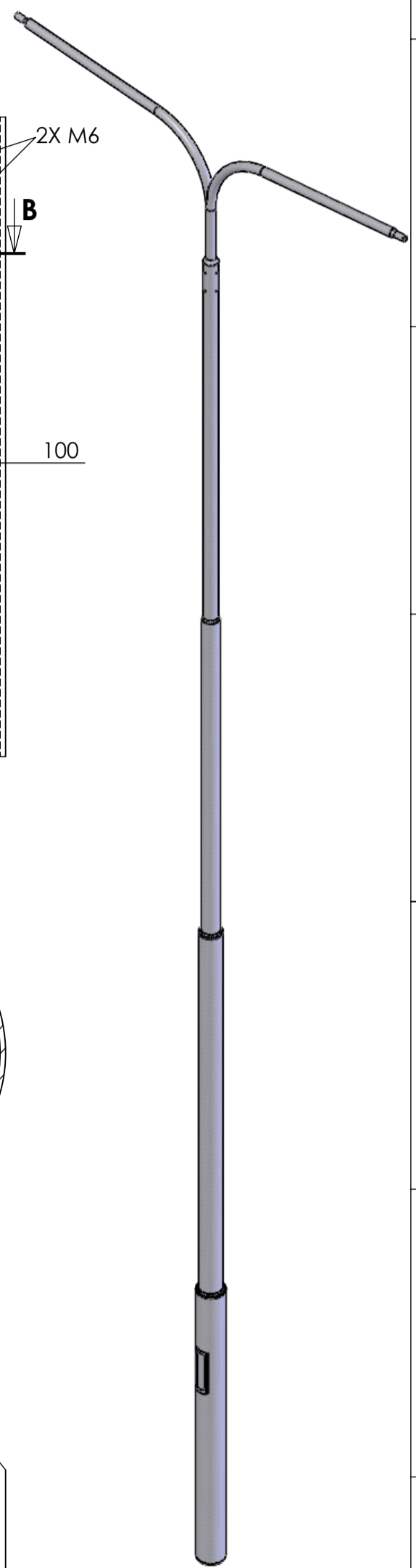
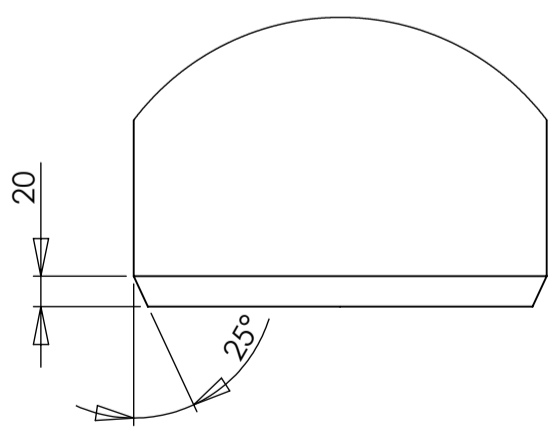
**DETAIL A
SCALE 1 : 5**



**SECTION B-B
SCALE 1 : 5**



**DETAIL C
SCALE 1 : 5**



Raw Material = 340.86 kg
Area : 11,02 m²

REV	CREATED BY	DATE	DESCRIPTION	APPROVED BY	DATE
0	ta.maatta	12.5.2022	CREATE A LAYOUT	jo.innanen	12.5.2022

	Nikkarintie 4 FI-51200 Kangasniemi Finland		Tel +358 15 337 7770 www.tehomet.com	THIS DRAWING IS PROPERTY OF VALMONT INDUSTRIES AND MUST NOT BE USED, COPIED OR PRODUCED WITHOUT VALMONT'S WRITTEN CONSENT	SHEET : 1/1
	MATERIAL : FINISH : GALV EN ISO 1461	CUSTOMER : T225C3150 4608193 T-VARTINEN OLAKEPYLVÄS		CALCULATION NUMBER : 110730KGSX	PART NUMBER : T225C3150

GENERAL TOLERANCE ± : EN40 A3 SCALE 1:50